


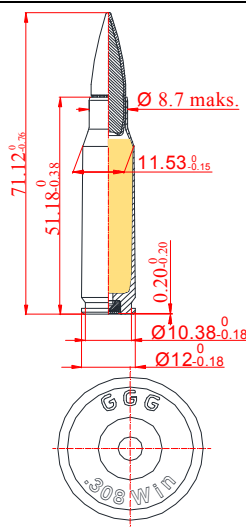
.308 Win Ammunition (GPX11)

GENERAL INFORMATION

.308 Win ammunition produced in the company AB Giraitės ginkluotės gamykla (GGG). Ammunition is designed for target shooting. This ammunition produced in accordance with C.I.P (Permanent International Commission for the Proof of Small-arms), ISO 9001:2015 (Quality Management Systems Requirements), ISO 2859-1 (Sampling Procedures and for Inspection by Attributes Part 1: Sampling Plans indexed by Acceptable Quality Level (AQL) for lot-by-lot inspection), ISO 3951 (Sampling Procedures and Charts for Inspection by Variables for Percent Defective) requirements. Ammunition is designed for shooting .308 Win caliber weapons. It is designed for short-term storage and not to used either in or under the extreme climatic conditions.

TECHNICAL SPECIFICATIONS

1. Table. Technical specifications


		Caliber		.308 Win
		Normal description		GPX11
		Bullet	type	FMJ
		Bullet weight	gr	147
			g	9,55
		Total length	mm	71,12 -0,26
		Bullet extraction	N	≥50
		Bullet material		Jacket – CuZn10; Core – lead antimony (2,5%)
		Case material		CuZn30
		Case length	mm	51,18 -0,38
		Propellant	type	Double base
Total weight	g	24,40±1,00		
Primer	type	BOXER		

BALLISTIC PROPERTIES

2. Table. Bullet average velocity values, shooting from C.I.P. testing barrel

PARAMETER	BULLET MEAN VELOCITY V ₀ , m/s					
	GPX11					
Bullet mean velocity, m/s, barrel length 568 mm, twist 12“	823 ± 15					
Velocity maximum standard deviation	7,2					
PARAMETERS	RANGE					
	0	100	200	300	400	500
Velocity (m/s)	842	765	695	625	565	505
Bullet path (cm)	-	0	-17	-54	-116	-210
Energy (J)	3375	2795	2295	1870	1510	1205
Ballistic coefficient	0.401					

PRODUCT INFORMATION SHEET

 GIRAITĖS GINKLUOTĖS GAMYKLA PASSION. PERFORMANCE. PRECISION.	CARTRIDGE .308WIN GPX11			CALIBER: .308 Win	SHEET: 1/3
	DRAWN BY: N.Račiūnienė	CHECKED BY: R.Bendaravičius	DATE: 22/06/2018	308 PIS GPX11	

MARKING

Minimum marking of cartridge and its packaging is done in accordance with C.I.P. 3. TESTING OF AMMUNITION requirements:

- Stamped on the base of cartridge case:

- Manufacturer's initials
- Caliber

- Stenciled on the internal carton box:

- Manufacturer's logo and name
- Quantity of cartridges in the box
- Weight of bullet
- Caliber
- Type of bullet
- Lot number
- CIP Mark
- Bullet velocity, bullet path and energy at 0, 100, 200, 300, 400 and 500 m from barrel mouth. Initial bullet velocity at barrel mouth, recalculated from V_{24} m/s velocity.
- Ballistic coefficient
- Warnings related to the exploitation and health safety.
- Barcode
- Address of manufacture
- Recycle marks of package

- Stenciled on the external box:

- Manufacturer's logo and name
- Caliber and design
- Quantity of inner carton boxes in the outer carton box
- Quantity of cartridges in the inner carton box
- Quantity of cartridges in the outer carton box
- Safety information
- Lot number
- Weight of bullet
- Type of bullet
- Net weight
- Net explosive quantity
- Gross weight
- Volume
- Certification number of the outer box
- Proper shipping name
- Explosive hazard orange mark
- Recycle marks of package
- Address of manufacturer
- UN number
- Serial number label of box

PACKAGING

Cartridges supplied in either outer carton or metal M2A1 boxes which are palletized. The boxes and pallets should be marked according to the requirements of the customer.

PRODUCT INFORMATION SHEET

GGG

GIRAITĖS GINKLUOTĖS GAMYKLA
PASSION. PERFORMANCE. PRECISION.

CARTRIDGE .308WIN GPX11

CALIBER:
.308 Win

SHEET:
2/3

DRAWN BY:
N.Račiūnienė

CHECKED BY:
R.Bendaravičius

DATE:
22/06/2018

308 PIS GPX11

02


3. Table. Cartridges packaging and units

Number of packing option	Variant of packing on pallet	PACKING OPTION	UNITS			
			Quantity of cartridges	Dimension, mm	Net weight, kg	Gross weight, kg
1		Internal colour carton box	20	27x74x139	–	–
		External Metal box M2A1	400	305,6x154,8x190,5	10,1	13,1
	1.1	EUR pallet	22400	1080x1250x520	569,0	766,0
2		Internal carton box	20	43x61x72	–	–
		External Metal box M2A1	640	305,6x154,8x190,5	16,2	19,2
	2.1	EUR pallet	30720	950x1250x520	780,0	950,0
3		Internal colour carton box	20	27x74x139	–	–
		External carton box	400	321x154x183	10,1	11,1
	3.1	EUR pallet	25600	800x1200x900	650,0	739,0
	3.2	Strengthened EUR pallet	28000	1000x1200x810	711,0	844,0
4		Internal carton box	20	43x61x72	–	–
		External carton box	600	321x154x183	15,2	16,2
	4.1	EUR pallet	38400	800x1200x900	975,0	1066,0
	4.2	Strengthened EUR pallet	42000	1000x1200x810	1066,0	1201,0
5		Internal carton box	20	27x74x139	–	–
		External carton box	1000	290x360x225	25,4	29,0
	5.1	EUR pallet	24000	800x1200x850	609,0	725,0
	5.2	Strengthened EUR pallet	27000	1000x1200x850	685,0	850,0

SHIPPING AND STORAGE DATA

Proper shipping name – Cartridges for weapons, inert projectile
 Hazard classification code – 1.4 S1
 UN number – 0012

PRODUCT INFORMATION SHEET

 GIRAITĖS GINKLUOTĖS GAMYKLA PASSION. PERFORMANCE. PRECISION.	CARTRIDGE .308WIN GPX11			CALIBER: .308 Win	SHEET: 3/3
	DRAWN BY: N.Račiūnienė	CHECKED BY: R.Bendaravičius	DATE: 22/06/2018	308 PIS GPX11 02	